

Concorde Xtra Steel



The smallest details will make the biggest difference! Concorde Xtra offers several specific extended features to the successful Concorde race shoe. It gives horses in all different types of racing an even greater chance to be a winner.

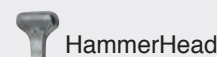
Features of the Concorde:

- the unique beveled outer edge of this shoe perfectly assists the rolling motion of the hoof
- concave section aids in shedding of earth and sand from the sole and frog
- more upright heel section on hind provides additional support
- boxed heels

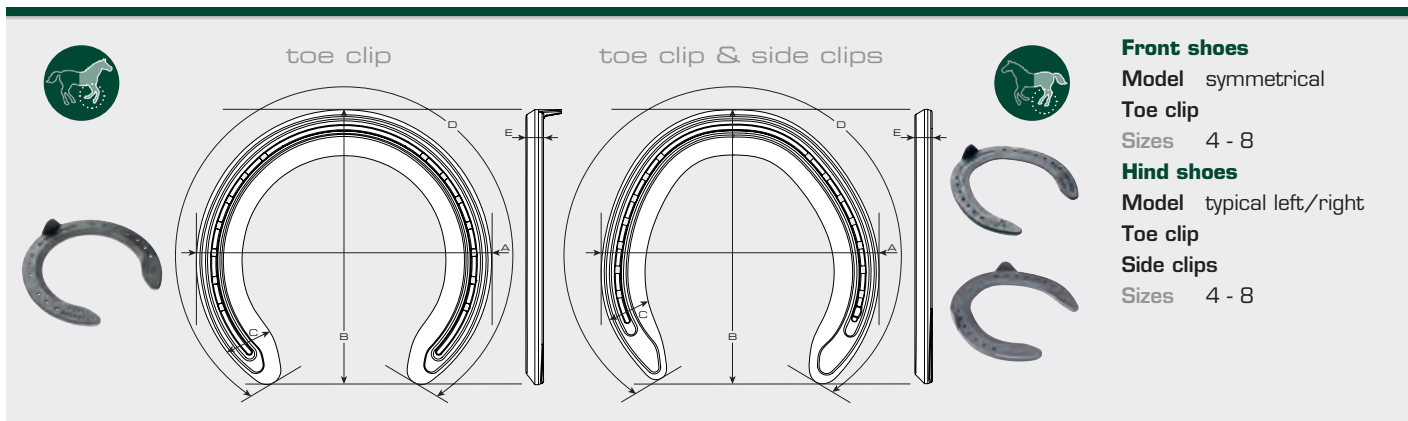
Extra features compared to Concorde:

- extra web width provides additional support and stability
- wide heels to enhance coverage on the heel section
- the nail holes are located closer to the toe and the punching is slightly coarser
- distinct asymmetrical hind shapes to minimize adjustment when shoeing
- two extra nail holes above size 2

Recommended nails for this product



HammerHead



Front shoes

Model symmetrical

Toe clip

Sizes 4 - 8

Hind shoes

Model typical left/right

Toe clip

Side clips

Sizes 4 - 8

Dimension tables

Section-to-Size front

Size	A	B	C	D	E
4	124	116	21	324	8
5	129	120	21	337	8
6	134	125	21	350	8
7	140	130	21	364	8
8	145	135	22	379	8

Section-to-Size hind

Size	A	B	C	D	E
4	124	116	21	324	8
5	129	120	21	337	8
6	134	125	21	350	8
7	140	130	21	364	8
8	145	135	22	379	8

